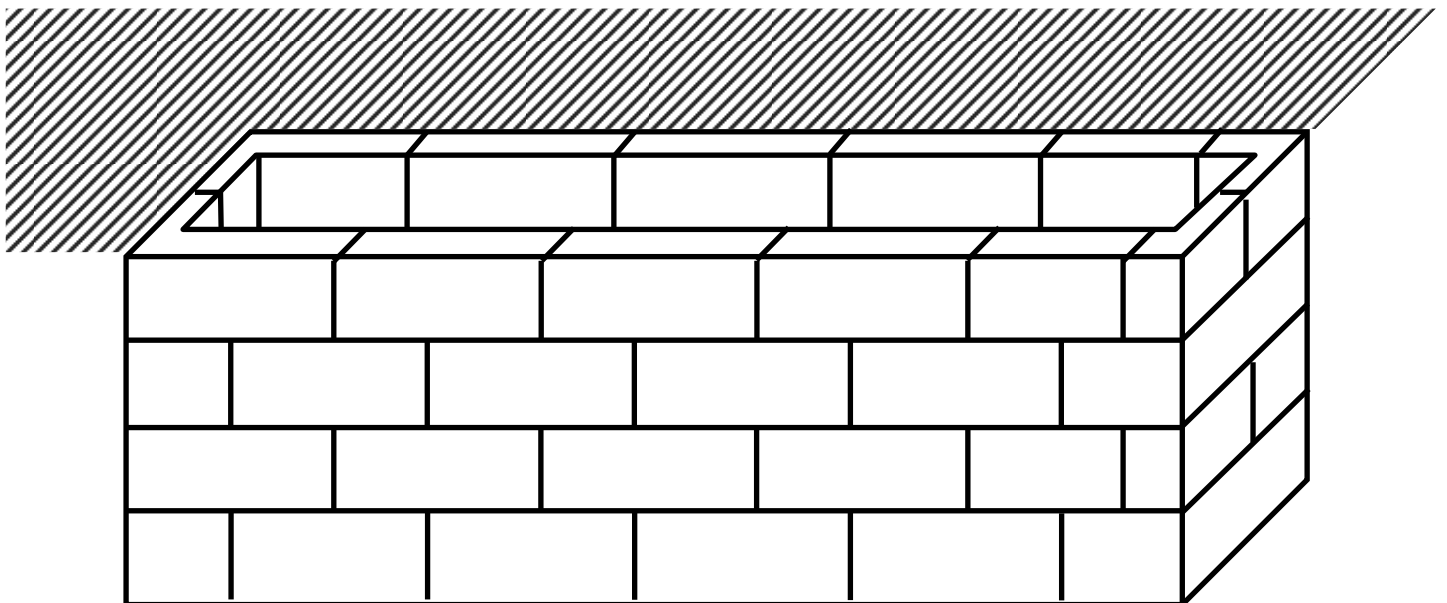
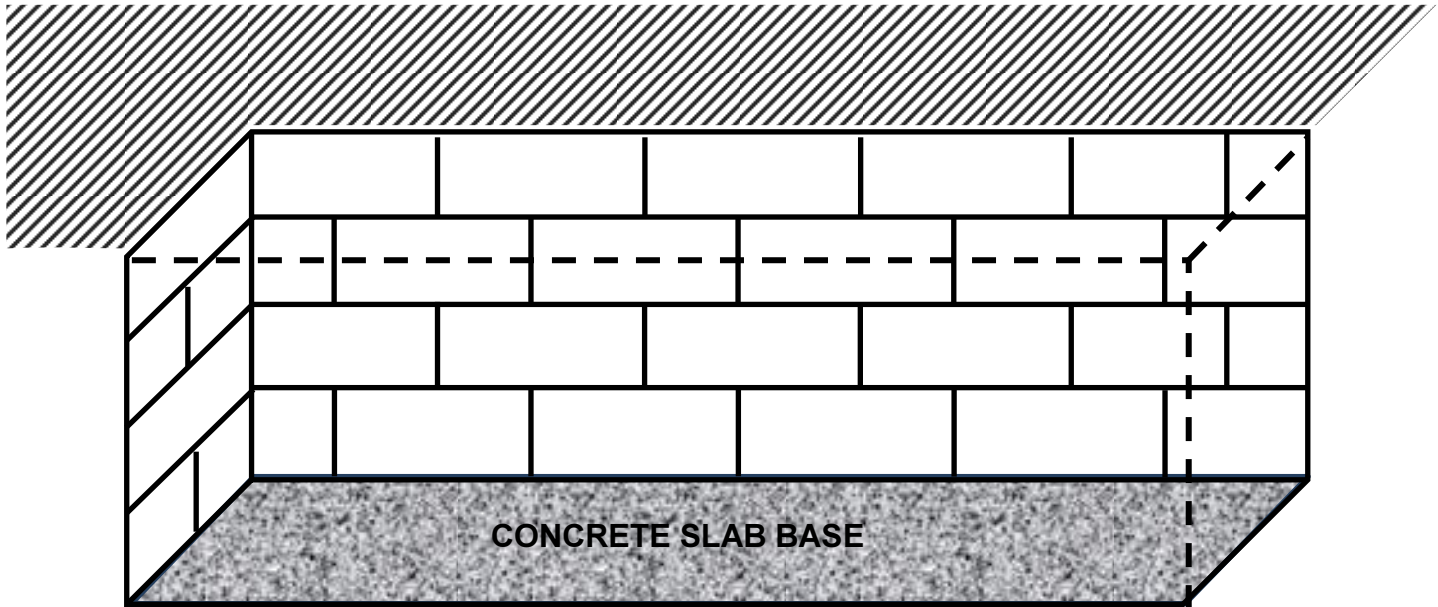


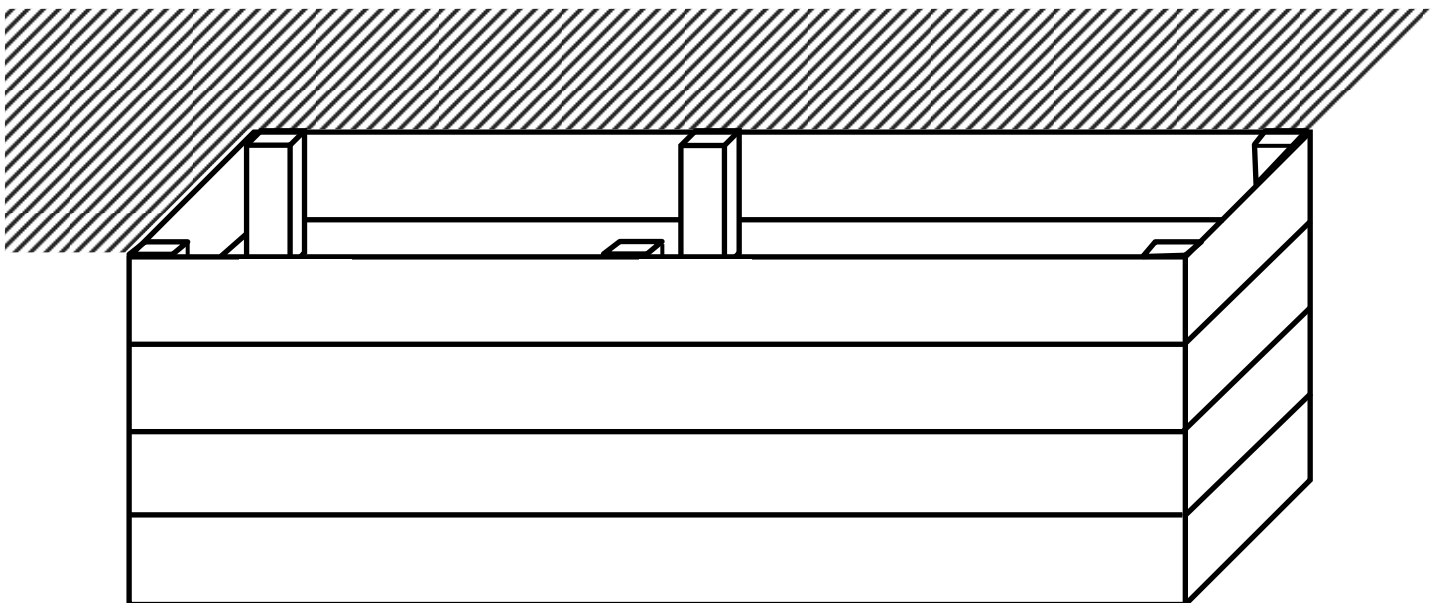
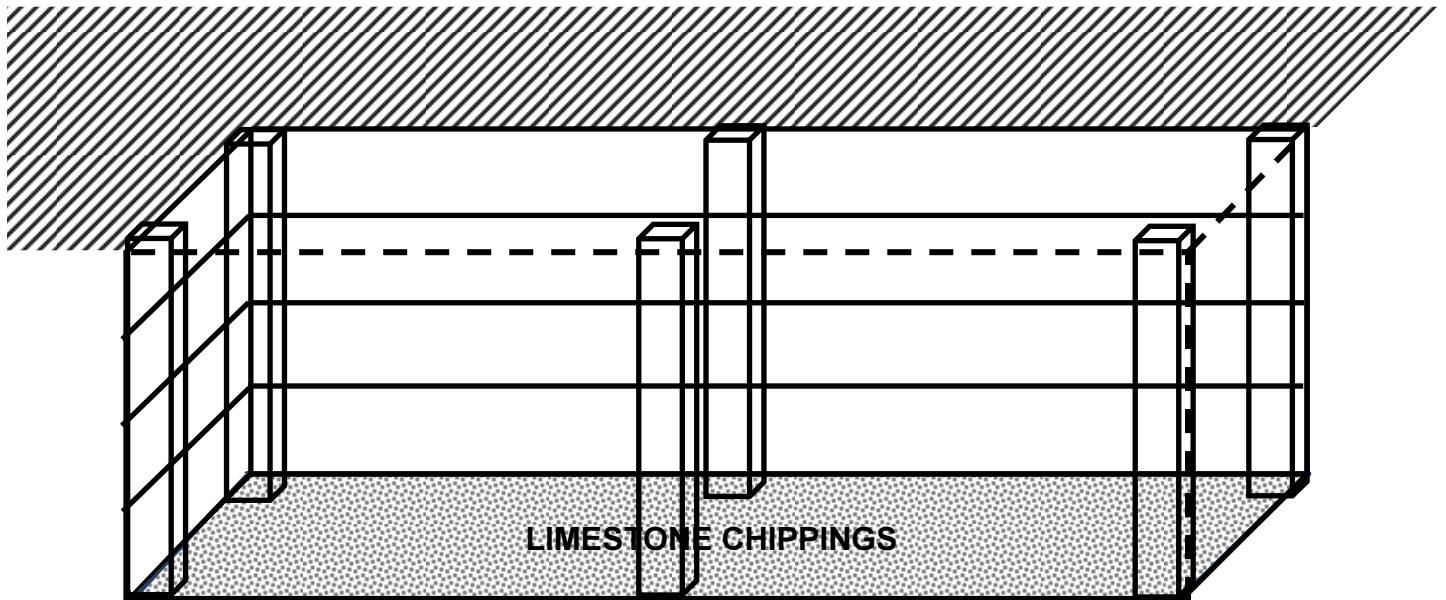
**Proposal 1 (the current model)**

A block lined grave with mortared joints built on a concrete slab base. Concrete sections will then be placed over the grave and the grave will be covered with soil prior to being turfed / seeded in due course. This is the current model.



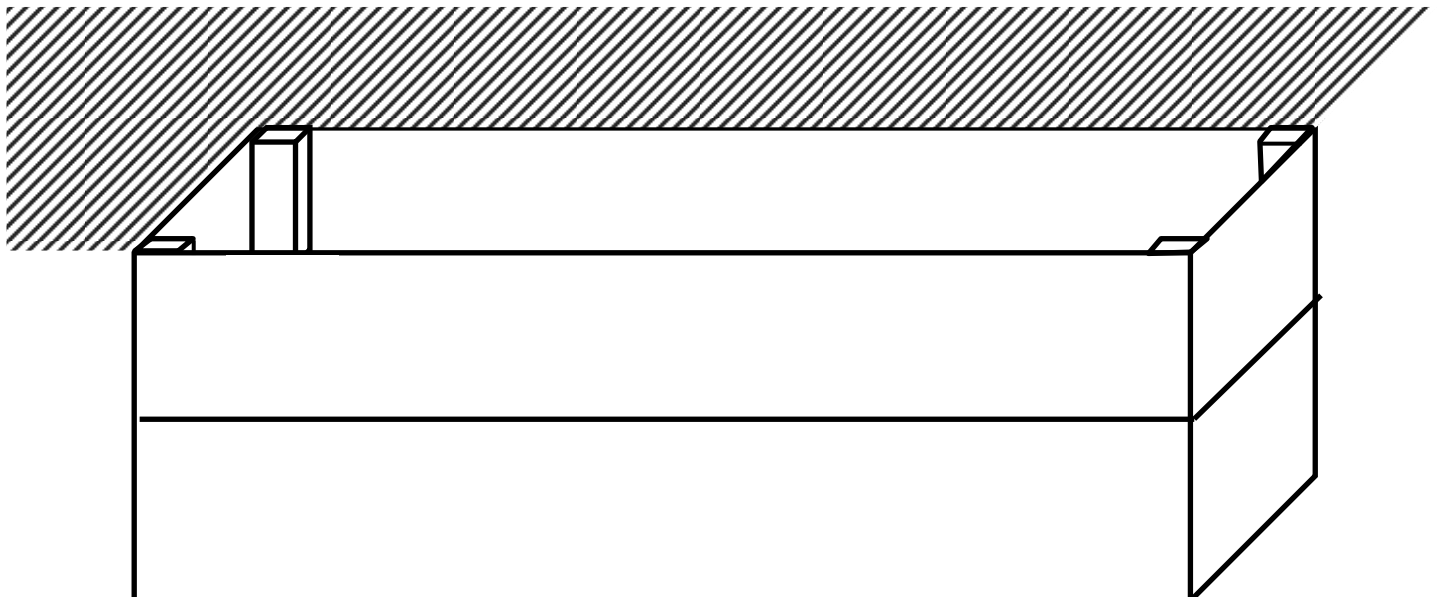
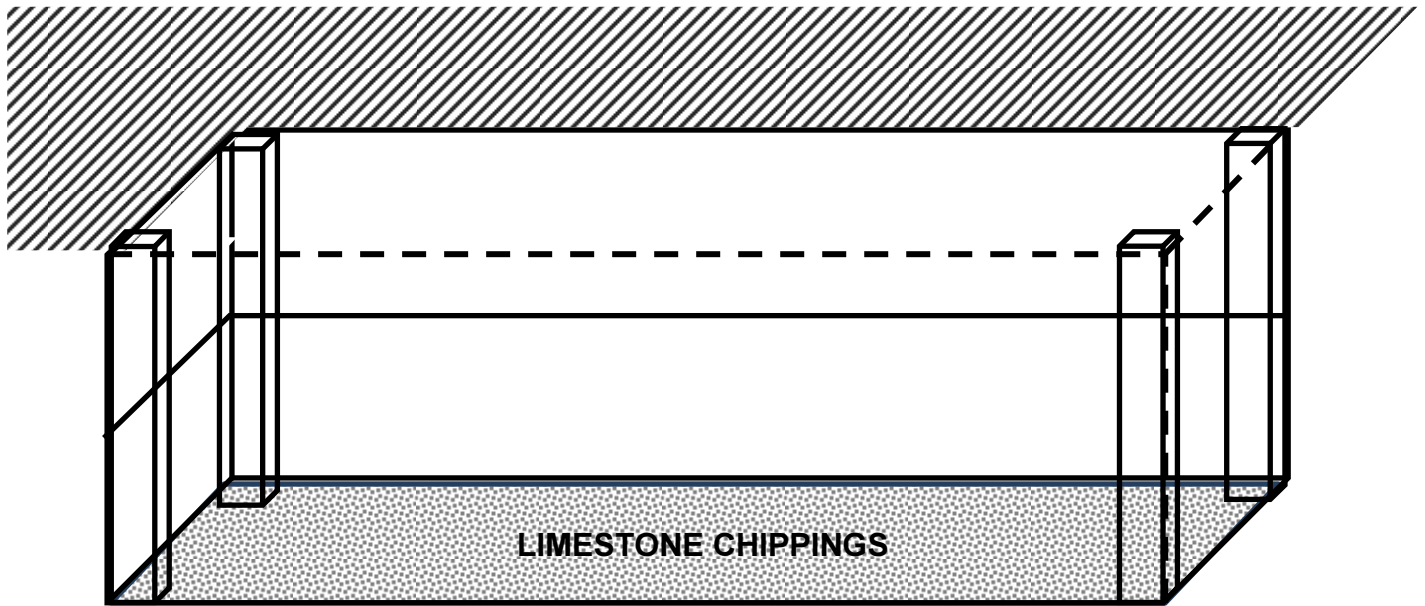
## Proposal 2

A grave with timber lined walls and limestone chips placed directly onto the soil at the base of the grave. Concrete sections will then be placed over the grave and the grave will be covered with soil prior to being turfed / seeded in due course.



### Proposal 3

A grave with four upright posts at each corner, into which concrete sections will be placed along each of the walls of the grave. The base will consist of limestone chips being placed directly onto the soil at the base of the grave. Concrete sections will then be placed over the grave and the grave will be covered with soil prior to being turfed / seeded in due course.



### Proposal 4

Two pre-cast concrete sections being placed into the grave with limestone chipping base directly onto the soil. Concrete sections will then be placed over the grave and the grave will be covered with soil prior to being turfed / seeded in due course.

